

MTRESS: Model Template for Residential Energy Supply Systems

Patrik Schönfeldt

2021-05-05

oemof spring meeting

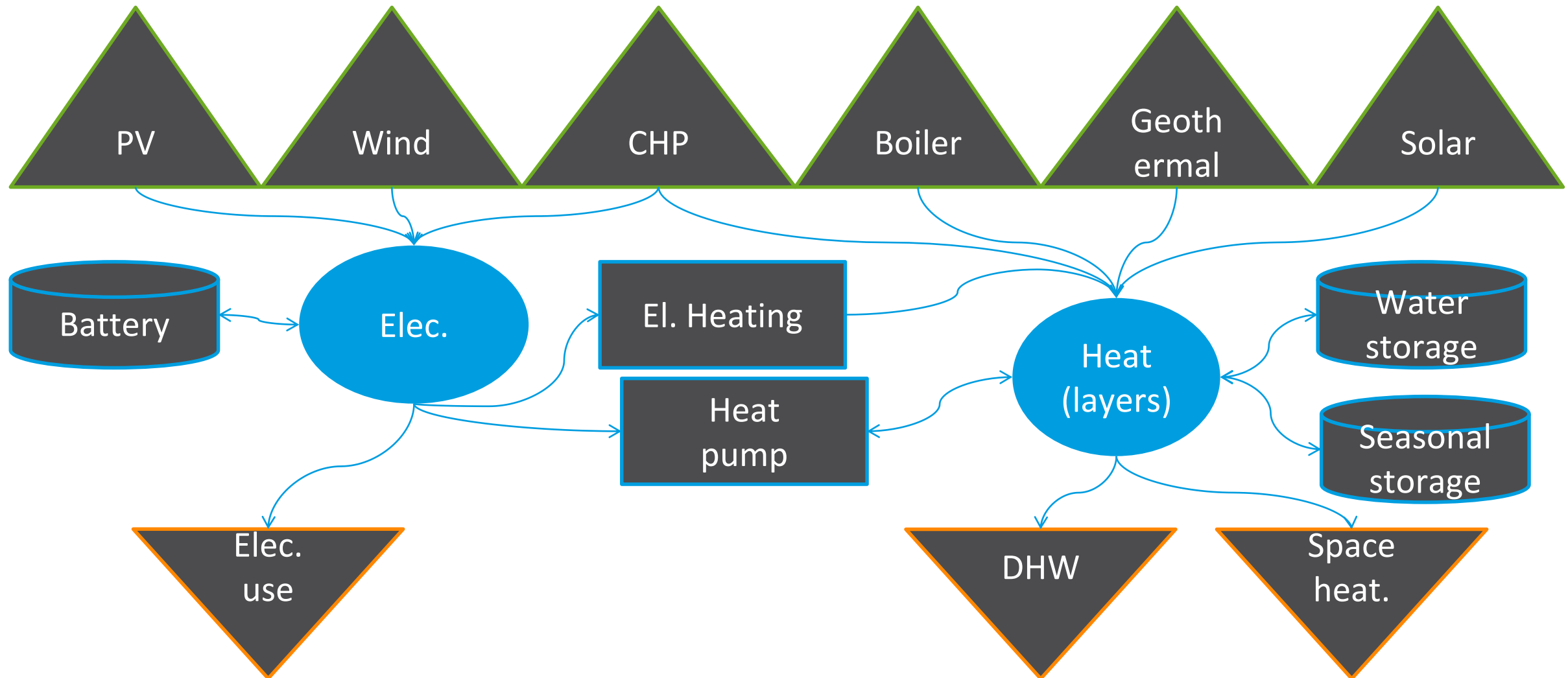
DLR Institute of Networked Energy Systems



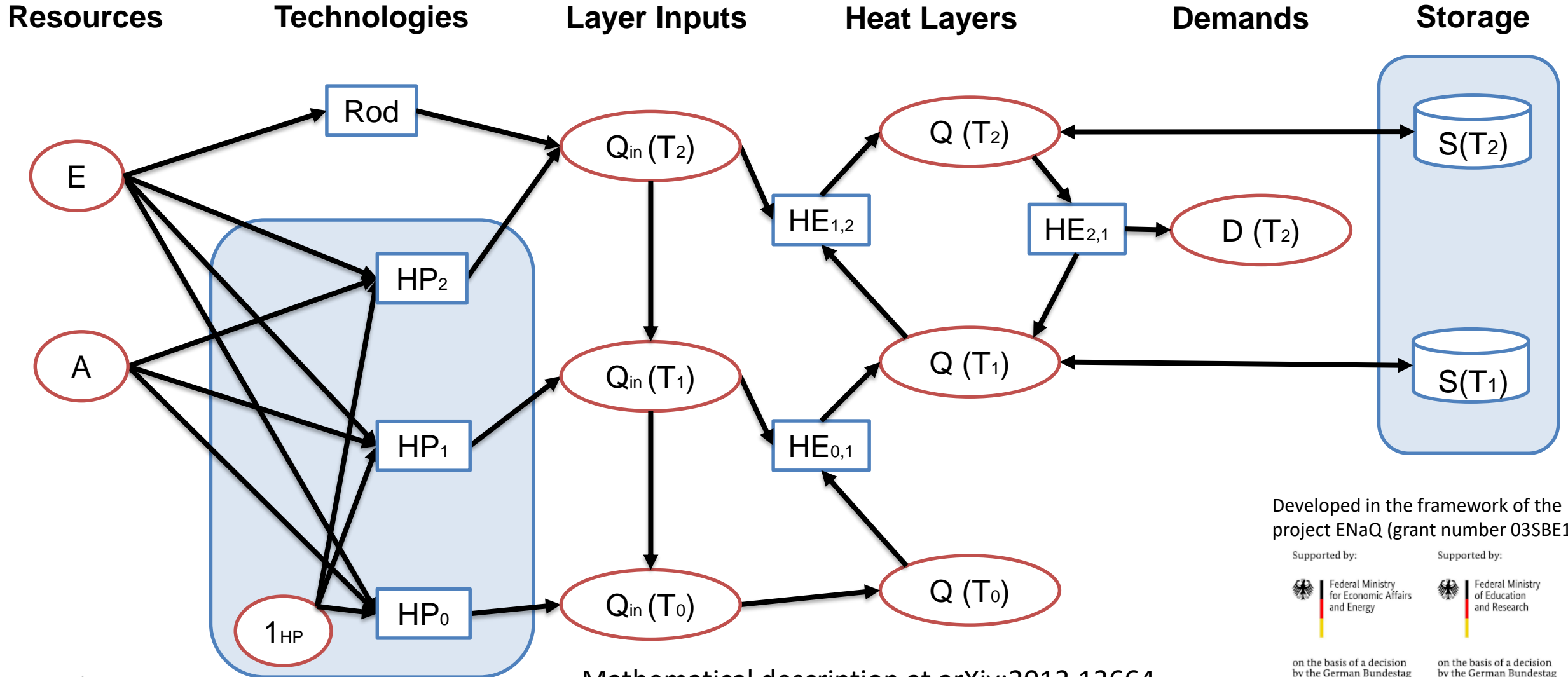
Knowledge for Tomorrow



MTRESS: Abstract Energy System Graph



MTRESS multi-layer heat model



Developed in the framework of the project ENaQ (grant number 03SBE111)

Supported by:



on the basis of a decision by the German Bundestag

Supported by:



on the basis of a decision by the German Bundestag

Mathematical description at [arXiv:2012.12664](https://arxiv.org/abs/2012.12664)